

**PLAKA dBREAK – ISOBLOK-FIX
PKF AWTH**

Anti-vibration acoustic washer

REF 12.06.50 - Version V01 - 20/08/2020



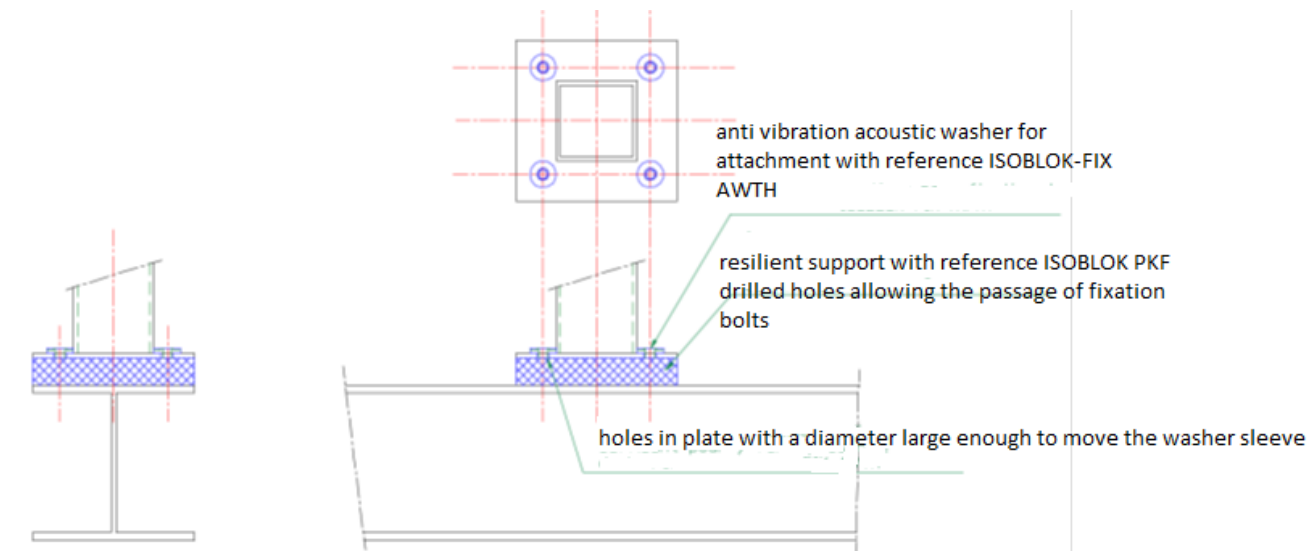
Description



The ISOBLOK-FIX anti vibration washers are used to isolate bolts through connections by providing a resilient separation of the bolt and the isolated structure

If an acoustic washer is omitted then the anti vibration pad will be bypassed by the fixing bolt and will therefore offer limited isolation as the vibration can be transmitted through the fixing bolt.

ISOBLOK-FIX PKF AWTH acoustic washers consist of a galvanized steel vulcanized chloroprene acoustic washer. This washer is extended by a sleeve also in chloroprene, preventing any rigid contact between the structure and the element to isolate



Example application for ISOBLOK-FIX

Application fields

ISOBLOK-FIX PKF AWTH washers can be used for sound and vibration isolation of any bolt through connections such as :

- Steel work isolation in building structures.
- Fixing machines.

©Copyright protected

This sheet, written with great care, supersedes all previous versions. The technical information on the design, models, illustrations, design values and specifications are believed to be accurate. We make no warranties (expressed or implied) as to its accuracy and assumes no liability in connection with non suitable use of this product. We reserve the right to modify the contents of this form without prior notice.

**PLAKA dBREAK – ISOBLOK-FIX
PKF AWTH**

Anti-vibration acoustic washer

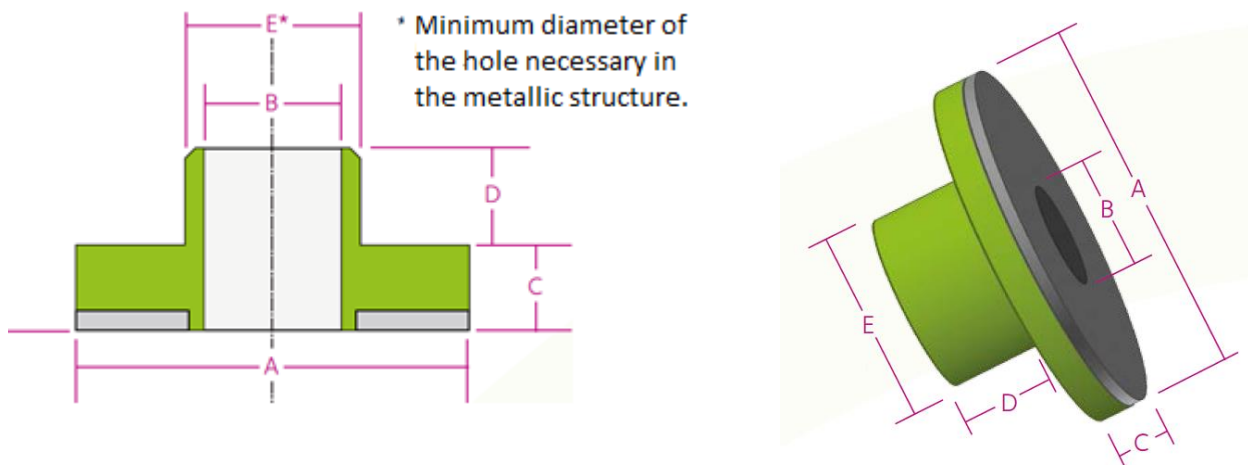
REF 12.06.50 - Version V01 - 20/08/2020



Properties

Mechanical properties	
Rubber material	CR (Chloroprene)
Hardheid (IRHD)	60
Quality metal washer	Electro-galvanised steel
Oil resistance	Good
Chemical resistance	Good
Fire rating	B2
Operating temperature	-10 to +90 °C

Dimensions



Dimensions and maximum loads											
Reference code	ISOBLOK-FIX AWTH washers					Normal applications			Maximum loads		
	A	B	C	D	E (min. ϕ of the hole in the metallic structure)	Normal tightening torque	Number of spins (standard metrics thread)	Thermal deflection	Max. torque	Number of spins (standard metrics thread)	Thermal deflection
	m	mm	m	m	mm	Nm	-	mm	Nm	-	mm
AWTH08	26	8,5	5,5	10	12,5	2,5	1/3	0,4	4	1/2	0,6
AWTH10	30	10,5	6	10	14,5	5,5	1/4	0,4	8	1/3	0,6
AWTH12	40	13	6,5	10	16,5	18	1/4	0,4	27	1/3	0,6
AWTH16	50	17	8	10	22,5	22	1/4	0,5	33	1/3	0,8
AWTH20	61	21	9	10	27	52	1/4	0,6	79	1/3	0,9
AWTH24	65	25	10	10	31	56	1/4	0,6	85	1/3	0,9

©Copyright protected

This sheet, written with great care, supersedes all previous versions. The technical information on the design, models, illustrations, design values and specifications are believed to be accurate. We make no warranties (expressed or implied) as to its accuracy and assumes no liability in connection with non suitable use of this product. We reserve the right to modify the contents of this form without prior notice.

**PLAKA dBREAK – ISOBLOK-FIX
PKF AWTH****Anti-vibration acoustic washer**

REF 12.06.50 - Version V01 - 20/08/2020

