

Plaka Couplerbox

Jointing system with couplers





We are one team. **We are Leviat.**

Leviat is the new name of CRH's construction accessories companies worldwide.

Under the Leviat brand, we are uniting the expertise, skills and resources of Plaka and its sister companies to create a world leader in fixing, connecting and anchoring technology.

The products you know and trust, including Plaka, will remain an integral part of Leviat's comprehensive brand and product portfolio. As Leviat, we can offer you an extended range of specialist products and services, greater technical expertise, a larger and more agile supply chain and better, faster innovation.

By bringing together CRH's construction accessories family as one global organisation, we are better equipped to meet the needs of our customers, and the demands of construction projects, of any scale, anywhere in the world.

This is an exciting change. Join us on our journey.

Read more about Leviat at [Leviat.com](https://www.leviat.com)



Our product brands include:

Ancon


HALFEN

PLAKA



60
locations

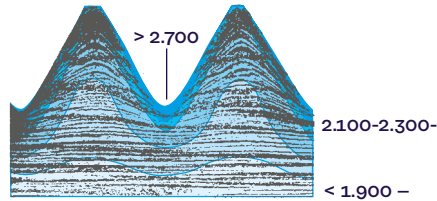
sales in
30+
countries

3000
people worldwide

Imagine. Model. Make.

Leviat.com

Due to our special parallel rolled thread, the Coupler Box jointing system combines safety with excellent technical performance. The couplers help the connection to provide good resistance to static and dynamic loads.



Vickers hardness N/mm²

Parallel rolled thread

The advantage of the parallel thread over tapered thread is that resistance is maintained even when screwed 2 or 3 turns too short. This can occur when debris (dirt/concrete) enters the coupler before the second phase bar is installed.

Unlike thread cutting, thread rolling does not scratch the steel and therefore causes no crack initiation (fatigue). By bending the fibres without cutting them, the material is pushed back into the mass so that the section, as well as the resistance and the hardness is increased.



Advantages

- Complies with the criteria determined in the various European standards and has approval (Zulassung) in Germany
- The coupling may be treated as a continuous bar
- Lengthening the joint (Agt) by the maximum load amounts to minimum 4%
- After 3 consecutive load cycles at 60% of the yield strength and then back to the rest position, the permanent lengthening of the connection is $\leq 0,1$ mm
- Provides very good resistance to dynamic loads

Due to its excellent properties, this system has been used on various High Speed Train sites in Europe.



Couplerbox Various types

CA type

Straight bar for the first phase supplied with a coupler at one end. The coupler is manually screwed on and glued to ensure that it does not become unscrewed during transport and handling.



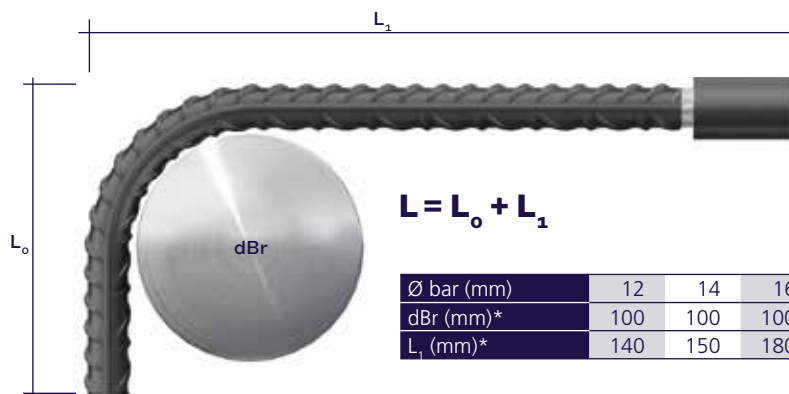
CR type

Straight bar for the second phase supplied with a thread at one end.



CAC type

Straight bar for the first phase, bent at an angle of 90° or according to specifications. The diameters of the mandrels (dBr) as well as the minimum length L_1 , limited by the diameter of the bars, are shown in the table below.



| | | | | | | | |
|-------------|-----|-----|-----|-----|-----|-----|-----|
| Ø bar (mm) | 12 | 14 | 16 | 20 | 25 | 32 | 40 |
| dBr (mm)* | 100 | 100 | 100 | 150 | 200 | 250 | 300 |
| L_1 (mm)* | 140 | 150 | 180 | 210 | 260 | 300 | 410 |



* Important information in relation to the CAC bars: the CAC couplers are, as standard, bent over a mandrel with a diameter as stated above. This results in a min. length L_1 . The diameter of the mandrel corresponds to 10 x the diameter of the bar. If the customer orders dimension L_1 smaller than the above, it will no longer correspond to 10 x the diameter. Any change in properties will be fully the responsibility of the customer.

CAM type

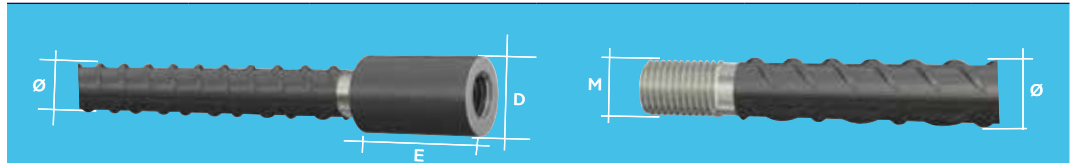
The straight CAM bar has a coupler on both ends.



CAF type

The straight CAF bar has a coupler on one end and a thread on the other.

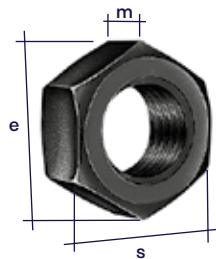




| | | | | | | | | |
|-------------------------------|------------|---------|---------|-----------|---------|---------|-----------|---------|
| Ø bar (mm) | 12 | 14 | 16 | 20 | 25 | 28 | 32 | 40 |
| D (mm) | 22 | 22 | 32 | 32 | 40 | 45 | 50 | 60 |
| E (mm) | 43 | 47 | 47 | 55 | 64 | 69 | 80 | 110 |
| Thread | M13 x 1,75 | M15 x 2 | M17 x 2 | M21 x 2,5 | M26 x 3 | M29 x 3 | M33 x 3,5 | M41 x 4 |
| Weight of coupler (kg) | 0,09 | 0,09 | 0,22 | 0,22 | 0,39 | 0,53 | 0,73 | 1,46 |
| Tightening torque (Nm) ① | 60 | 100 | 100 | 200 | 250 | 280 | 280 | 340 |
| Modified wrench length (cm) ② | 20 | 30 | 30 | 60 | 80 | 80 | 80 | 100 |

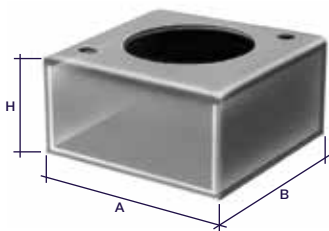
① The tightening torque is only applicable on the second phase bar.

② Small tightening torques are reached with 35 kg force using a modified wrench. More safety is possible using a torque wrench.



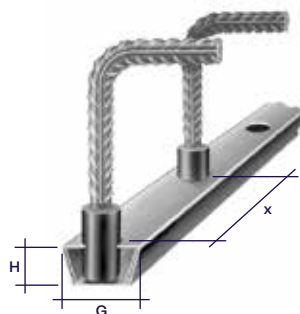
Coupler Box screw nut

| Metric thread | s (mm) | e (mm) | m (mm) |
|---------------|--------|--------|--------|
| M13 | 19 | 22 | 11 |
| M15 | 22 | 25 | 12 |
| M17 | 24 | 28 | 13 |
| M21 | 30 | 34 | 16 |
| M26 | 36 | 41 | 19 |
| M29 | 41 | 47 | 22 |
| M33 | 50 | 57 | 25 |
| M41 | 59 | 68 | 32 |



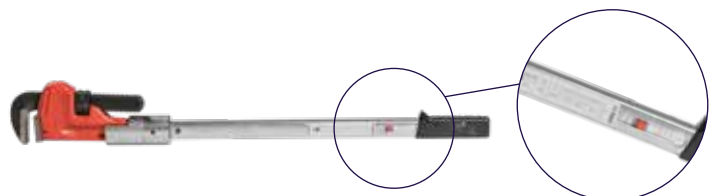
Monobox

| | | | | | | | | |
|----------------------|-------|-------|-------|-------|-------|-------|-------|-------|
| Ø bar (mm) | 12 | 14 | 16 | 20 | 25 | 28 | 32 | 40 |
| A x B (mm x mm) | 70x70 | 70x70 | 70x70 | 70x70 | 70x70 | 70x 0 | 70x70 | 70x70 |
| H (mm) | 25 | 25 | 25 | 25 | 25 | 25 | 25 | 25 |
| Weight (kg) | 0,08 | 0,08 | 0,08 | 0,08 | 0,08 | 0,07 | 0,07 | 0,07 |
| Weight of cover (kg) | 0,02 | 0,02 | 0,02 | 0,02 | 0,02 | 0,02 | 0,02 | 0,02 |



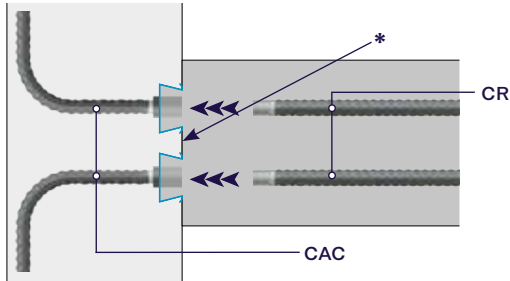
Multibox (length 1.20 m ; x = 100, 150, 200 mm)

| | | | | | | | | |
|------------------------|------|------|------|------|------|------|------|------|
| Ø bar (mm) | 12 | 14 | 16 | 20 | 25 | 28 | 32 | 40 |
| G (mm) | 60 | 60 | 60 | 60 | 60 | 60 | 60 | 90 |
| H (mm) | 28 | 28 | 28 | 28 | 28 | 28 | 28 | 28 |
| Weight (kg/m) | 0,93 | 0,93 | 0,93 | 0,93 | 0,93 | 0,93 | 0,93 | 1,05 |
| Weight of slide (kg/m) | 0,34 | 0,34 | 0,34 | 0,34 | 0,34 | 0,34 | 0,34 | 0,40 |

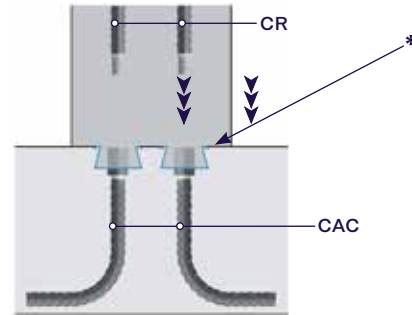




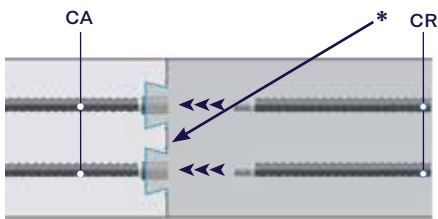
Couplerbox Applications



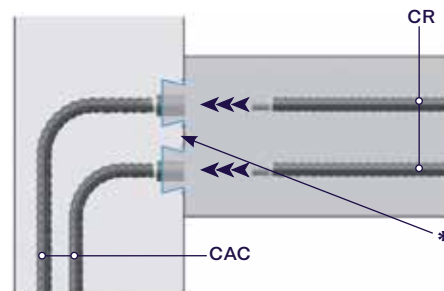
Wall to wall connection
Climbing or sliding formwork



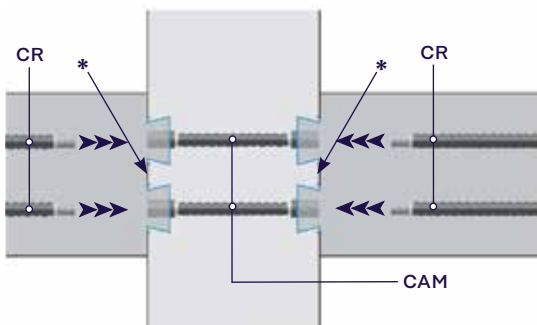
Floor to wall connection
Columns or walls on floor



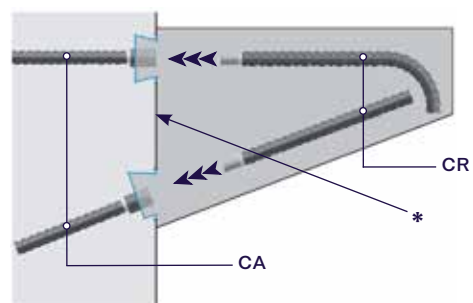
Floor to floor connection



Wall to floor connection
Also for cast walls



Floor to wall to floor connection
Anchoring with 2 couplers
Beam to column to beam connection

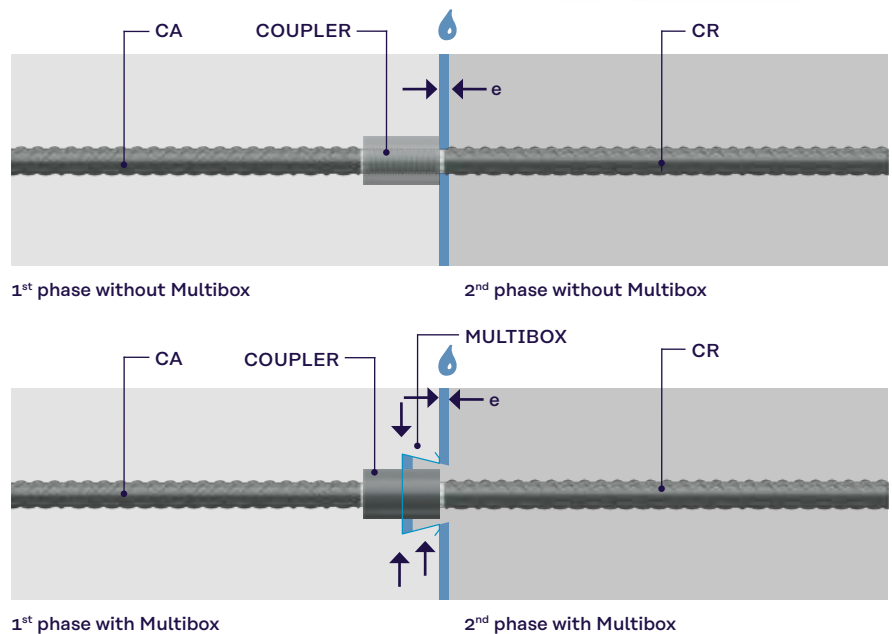


Wall to cantilever connection
Special covers give the Couplers an incline

* Ask us for advice about our waterproofing systems

Couplerbox Monobox en Multibox

The use of the Monobox or Multibox boxes simplifies positioning, reduces installation time and improves the quality of the connecting joint.



Tongue and groove connection of the Multibox.

The sides of the box are blocked by shrinkage.

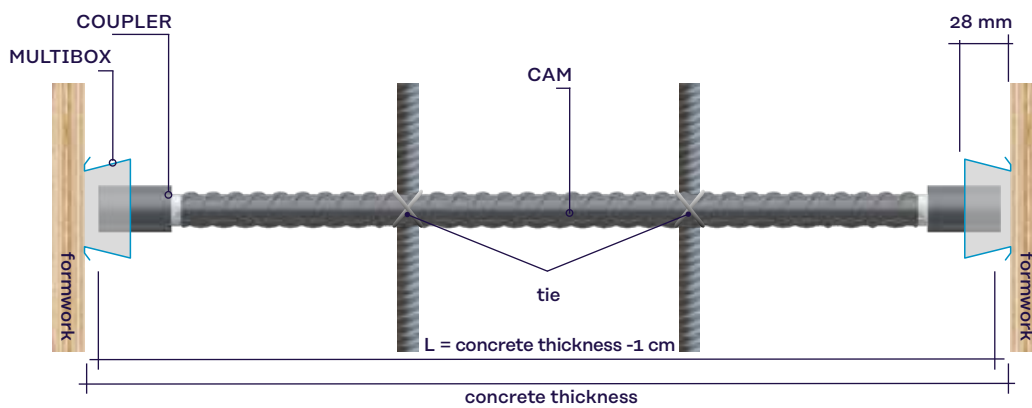
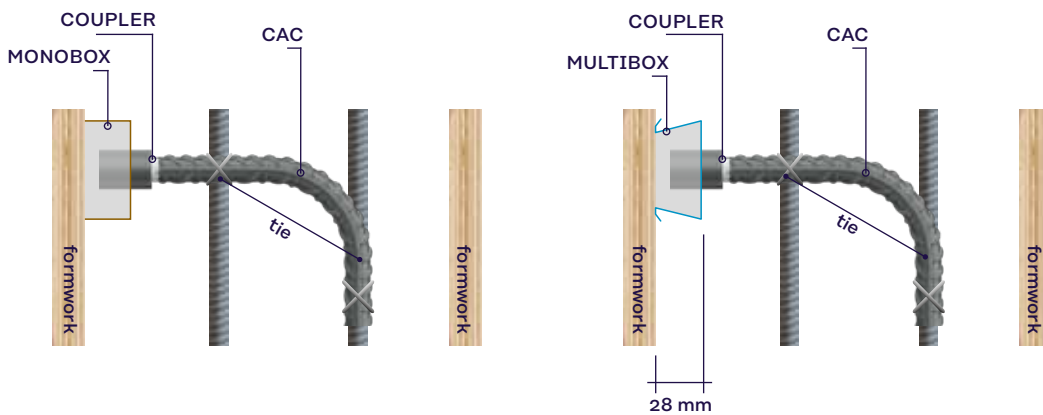
The joint profile consists of a tongue and groove connection.

Advantages

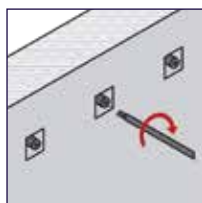
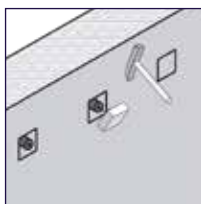
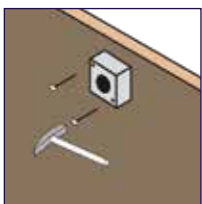
- **Protecting the thread against corrosion**
 The concrete shrinkage 'e' causes the joint to open slightly so that condensation and seeping water could penetrate the thread on the coupler: the most stressed and weak zone on the coupling. Thanks to the Monobox or Multibox the thread is placed in a homogeneous phase of the concrete, protected from corrosion.
- **The coupler can easily be found**
 Once the coupler is covered by concrete it is difficult to find and to release. The use of the Monobox or Multibox solves this problem because the coupler is not fixed to the formwork: it can move freely over a distance of 25 mm in the box. The box is fixed to the formwork and can be easily found when the formwork is removed. Using the Multibox is especially efficient for cast walls and slurry walls.
- **Excellent fixing of the coupler**
 The coupler is supported by the Monobox or Multibox which guide the coupler while maintaining its position and orientation.
- **Increases the implementation tolerances**
 The presence of the Monobox or Multibox enables greater installation tolerances.



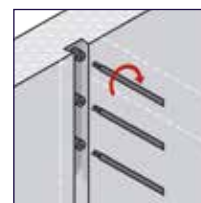
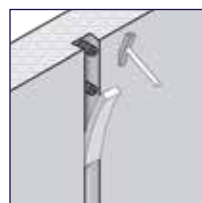
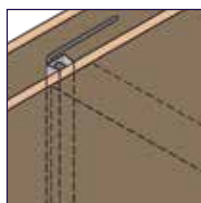
Couplerbox Toepassingen



Instructions for use



- Position and nail the Monobox or Multibox against the formwork
- Put the first phase CA, CAC or CAM type bar with a coupler and protective lid in the Box and tie the bar to the reinforcing
- Pour the concrete in the first phase
- When the formwork has been removed, remove the cover from the Monobox or Multibox and the protective lid from the coupler
- Screw the second phase type CR bar to the coupler
- Apply the correct tightening torque depending on the diameter of the bar



Couplerbox

Quality of Couplerbox jointing system

The Couplerbox jointing system complies with the criteria specified in various European standards. The system has approval (Zulassung) in Germany.

■ Resistance criteria

The fracture occurs at minimum 95% of the actual resistance of the weakest bar in the joint. The coupling may be treated as a continuous bar.

■ Lengthening criteria

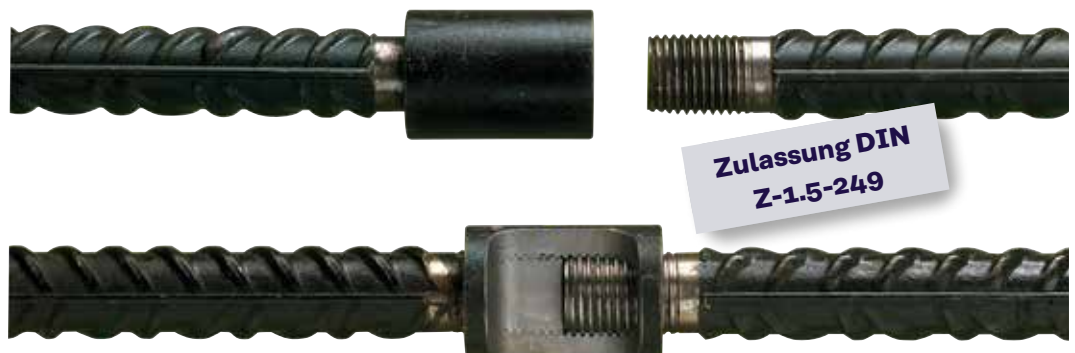
Lengthening the joint (Agt) under maximum load is minimum 4%.

■ Sliding criteria

After 3 simultaneous load cycles at 60% of the yield strength and then back to the rest position, the permanent lengthening is ≤ 0.1 mm

■ Fatigue criteria

Dynamic loads cause fatigue problems (cracks, fractures). Thanks to its parallel rolled thread, the Coupler Box provides particularly good resistance in this kind of situation.



Worldwide contacts for Leviat:

Australia

Leviat
98 Kurrajong Avenue,
Mount Druitt Sydney, NSW 2770
Tel: +61 - 2 8808 3100
Email: info.au@leviat.com

Austria

Leviat
Leonard-Bernstein-Str. 10
Saturn Tower, 1220 Wien
Tel: +43 - 1 - 259 6770
Email: info.at@leviat.com

Belgium

Leviat
Industrielaan 2
1740 Ternat
Tel: +32 - 2 - 582 29 45
Email: info.be@leviat.com

China

Leviat
Room 601 Tower D, Vantone Centre
No. A6 Chao Yang Men Wai Street
Chaoyang District
Beijing · P.R. China 100020
Tel: +86 - 10 5907 3200
Email: info.cn@leviat.com

Czech Republic

Leviat
Business Center Šafránková
Šafránková 1238/1
155 00 Praha 5
Tel: +420 - 311 - 690 060
Email: info.cz@leviat.com

Finland

Leviat
Vädursgatan 5
412 50 Göteborg / Sweden
Tel: +358 (0)10 6338781
Email: info.fi@leviat.com

France

Leviat
6, Rue de Cabanis
FR 31240 L'Union
Toulouse
Tel: +33 - 5 - 34 25 54 82
Email: info.fr@leviat.com

Germany

Leviat
Liebigstrasse 14
40764 Langenfeld
Tel: +49 - 2173 - 970 - 0
Email: info.de@leviat.com

India

Leviat
309, 3rd Floor, Orion Business Park
Ghodbunder Road, Kapurbawdi,
Thane West, Thane,
Maharashtra 400607
Tel: +91 - 22 2589 2032
Email: info.in@leviat.com

Italy

Leviat
Via F.lli Bronzetti 28
24124 Bergamo
Tel: +39 - 035 - 0760711
Email: info.it@leviat.com

Malaysia

Leviat
28 Jalan Anggerik Mokara 31/59
Kota Kemuning, 40460 Shah Alam
Selangor
Tel: +603 - 5122 4182
Email: info.my@leviat.com

Netherlands

Leviat
Oostermaat 3
7623 CS Borne
Tel: +31 - 74 - 267 14 49
Email: info.nl@leviat.com

New-Zealand

Leviat
2/19 Nuttall Drive, Hillsborough,
Christchurch 8022
Tel: +64 - 3 376 5205
Email: info.nz@leviat.com

Norway

Leviat
Vestre Svanholmen 5
4313 Sandnes
Tel: +47 - 51 82 34 00
Email: info.no@leviat.com

Philippines

Leviat
2933 Regus, Joy Nostalg,
ADB Avenue
Ortigas Center
Pasig City
Tel: +63 - 2 7957 6381
Email: info.ph@leviat.com

Poland

Leviat
Ul. Obornicka 287
60-691 Poznan
Tel: +48 - 61 - 622 14 14
Email: info.pl@leviat.com

Singapore

Leviat
14 Benoi Crescent
Singapore 629977
Tel: +65 - 6266 6802
Email: info.sg@leviat.com

Spain

Leviat
Polígono Industrial Santa Ana
c/ Ignacio Zuloaga, 20
28522 Rivas-Vaciamadrid
Tel: +34 - 91 632 18 40
Email: info.es@leviat.com

Sweden

Leviat
Vädursgatan 5
412 50 Göteborg
Tel: +46 - 31 - 98 58 00
Email: info.se@leviat.com

Switzerland

Leviat
Grenzstrasse 24
3250 Lyss
Tel: +41 - 31 750 3030
Email: info.ch@leviat.com

United Kingdom

Leviat
President Way, President Park,
Sheffield, S4 7UR
Tel: +44 - 114 275 5224
Email: info.uk@leviat.com

United States of America

Leviat
6467 S Falkenburg Rd.
Riverview, FL 33578
Tel: (800) 423-9140
Email: info.us@leviat.us

For countries not listed:

Email: info@leviat.com

Leviat.com

Notes regarding this brochure

© Protected by copyright. The construction applications and details provided in this publication are indicative only. In every case, project working details should be entrusted to appropriately qualified and experienced persons. Whilst every care has been exercised in the preparation of this publication to ensure that any advice, recommendations or information is accurate, no liability or responsibility of any kind is accepted by Leviat for inaccuracies or printing errors. Technical and design changes are reserved. With a policy of continuous product development, Leviat reserves the right to modify product design and specification at any time.



**For more information on our solutions,
please contact your Leviat Team:**

Belgium

Ternat

Industrielaan 2, 1740 Ternat

T: +32 (0)2 582 29 45 F: +32 (0)2 582 19 62

Schoten (Halfen)

Borkelstraat 131, 2900 Schoten

T: +32 (0)3 658 07 20 F: +32 (0)3 658 15 33

Visit our website:

plaka-solutions.com